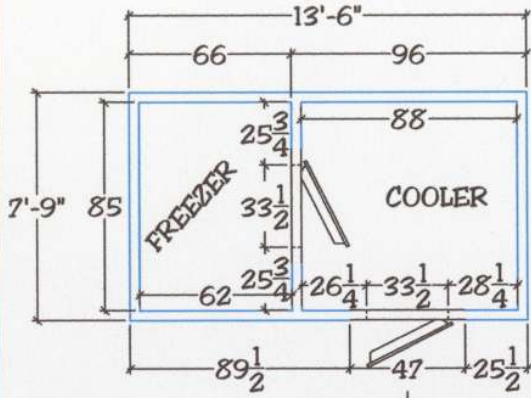
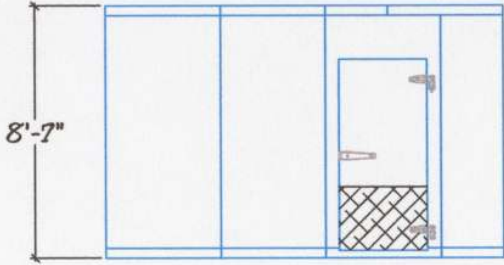


TOP VIEW

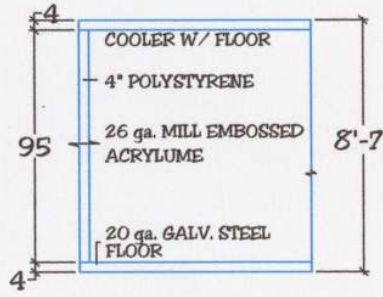
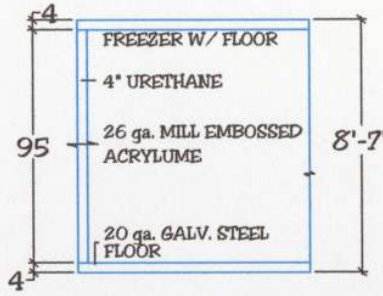


WIDTH OF DOOR FRAME -
AREA MUST BE KEPT CLEAR
FOR PROPER DOOR OPERATION



FRONT VIEW

SECTION VIEWS



GENERAL NOTES

- ❖ ALLOW A MINIMUM OF 2" CLEARANCE BETWEEN CHAMBER & ANY WALLS OR FIXTURES
- ❖ FLOOR MUST BE SMOOTH & LEVEL FOR PROPER INSTALLATION
- ❖ TWO (2) 36" X 78" SELF-CLOSING INF. SWING DOORS
- ❖ GASKETED PANELS
- ❖ PLEASE REVIEW, SIGN & FAX DRAWING BACK TO US, SO WE CAN PROCESS YOUR ORDER.

APPROVED BY CUSTOMER

PLEASE CHECK ONE:



AS DRAWN



AS NOTED

BY: _____

DATE: _____

FILE NAME: 201

CUSTOMER NAME / COMPANY:

❖ APPROVAL DRAWING ❖

QUOTE / JOB #:

J31SE201

P.O. / REF. #:

DATE:

10.01.2003

DRAFTER:

YESSE



WORLDWIDE REFRIGERATION
763 WEST 18 STREET
HIALEAH, FL 33010
PH: 305 882 1002
FAX: 305 882 1614

**FREEZER / COOLER
COMBINATION**